

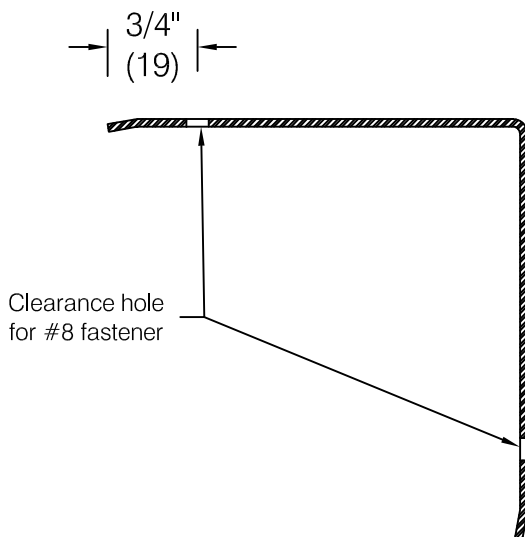
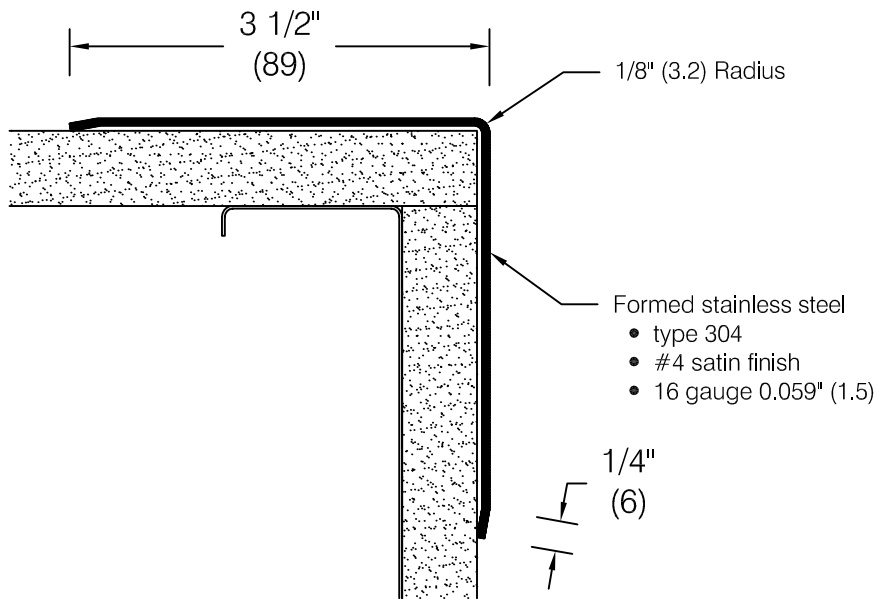
CG-50 Stainless Corner Guard

Features:

- Custom lengths, angles, and wing sizes are available
- Available for 135° corners (see WD.125.0)
- Available with 3/4" (19) radius (see WD.124.0)
- Type 304 stainless
- Stock lengths: 4'-0" (1219) & 8'-0" (2438)

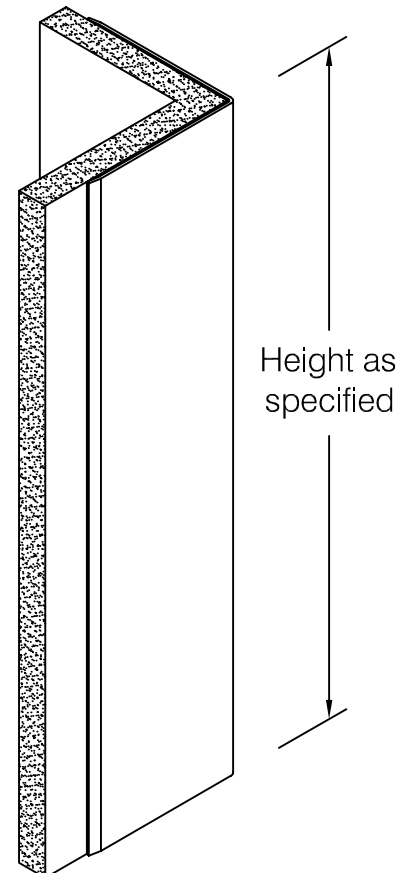
Mounting Options:

- Standard mounting
Adhesive:
ADH-50 adhesive supplied separately
- Optional mounting
Drilled:
Clearance holes for #8 fastener
ABSS-113 #8 x 1 1/2" (38) oval head sheet metal screw and ABCW-132 stainless cup washer supplied separately as required



Optional Drilling:

- Standard spacing: 3' (76) from each end and spaced evenly not to exceed 36" (914) oc



| | | | |
|-------------|---|-----------------------------------|--------|
| DATE: | CUSTOMER: | QTY | HEIGHT |
| REP: |  www.alpararch.com 612-721-0156 P.O. Box 17207 Minneapolis, MN 55417-0156 | | |
| PROJECT: | | | |
| JOB #: | | | |
| ISSUE DATE: | | | |
| REV #: | | Alpar Architectural Products, LLC | |