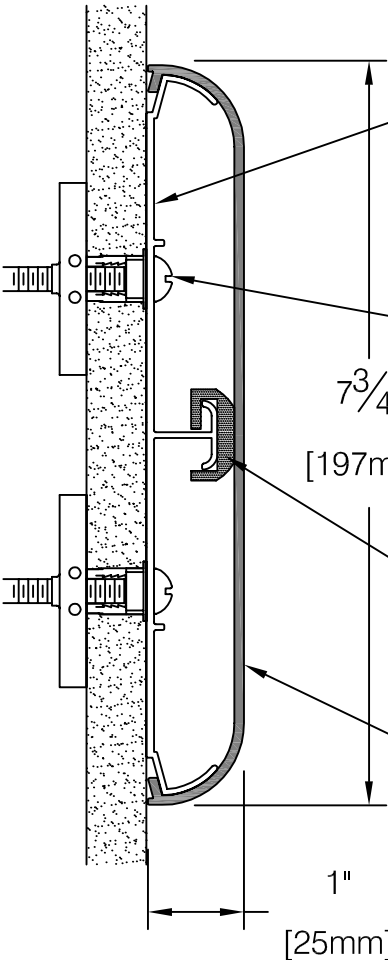


WALL GUARD WG-8B



ALUMINUM RETAINER - CONTINUOUS

- mill finish
- alloy 6063-T5
- 0.080" [2.0mm] thick

FASTENERS

- 16" oc [406mm] - staggered
- supplied by others

IMPACT CUSHION - Optional

- continuous

deTerra ® BIOBASED POLYMER COVER

- high impact
- 0.100" [2.5mm] thick
- textured

RELATED PARTS NOT SHOWN
 END RETURN
 OUTSIDE CORNER
 INSIDE CORNER

deTerra is a registered trademark of Interfacial Solutions IP, LLC

DATE:	CUSTOMER:	PART	QTY	COLOR
REP:	 <p>www.alpararch.com 612-721-0156 P.O. Box 17207 Minneapolis, MN 55417-0156</p>			
PROJECT:				
JOB #:				
ISSUE DATE: MAY 2012				
REV #:		Alpar Architectural Products, LLC		