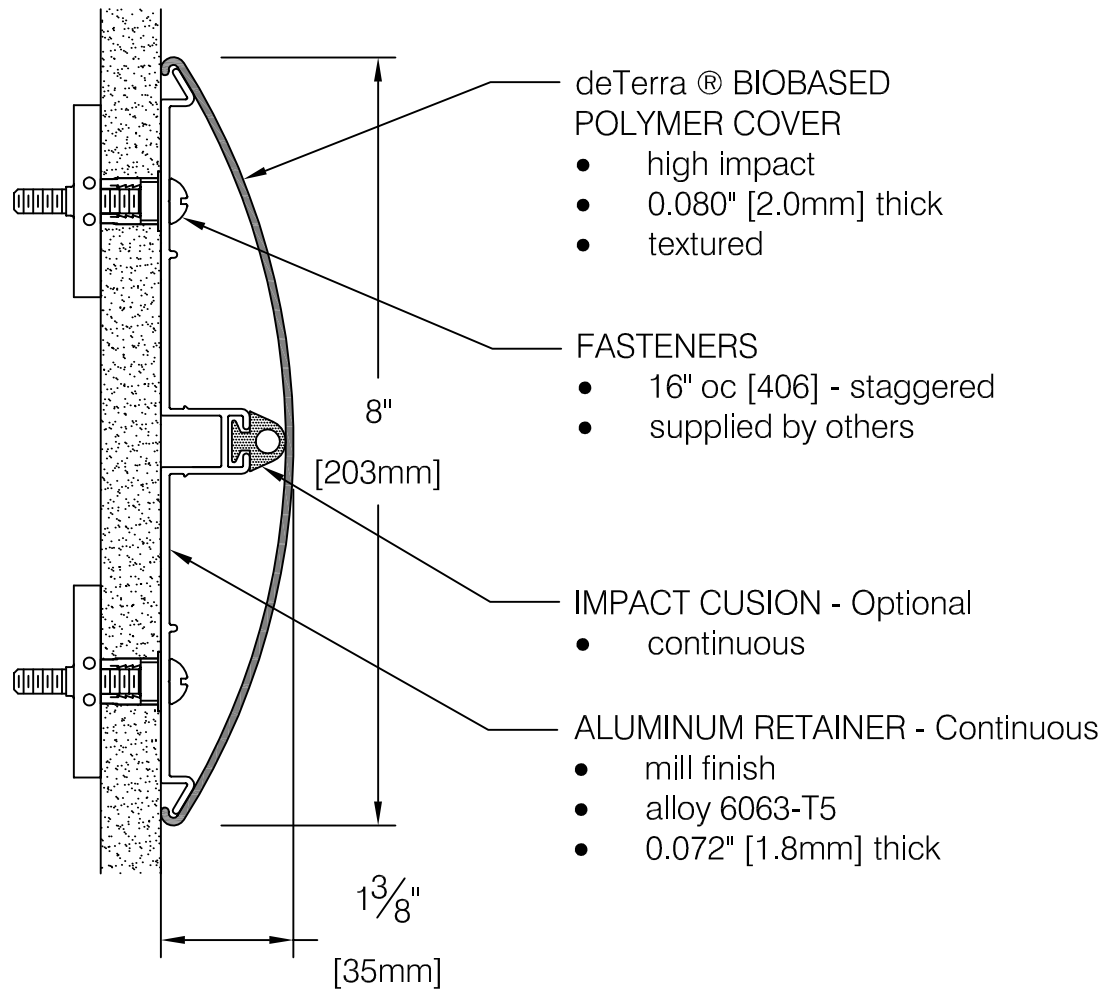


# WALL GUARD WG-7B



RELATED PARTS NOT SHOWN  
 END RETURN  
 OUTSIDE CORNER  
 INSIDE CORNER

deTerra is a registered trademark of Interfacial Solutions IP, LLC

DATE:	CUSTOMER:	PART	QTY	COLOR
REP:	 <p>www.alpararch.com            612-721-0156            P.O. Box 17207            Minneapolis, MN 55417-0156</p>			
PROJECT:				
JOB #:				
ISSUE DATE: MAY 2012				
REV #:		Alpar Architectural Products, LLC		