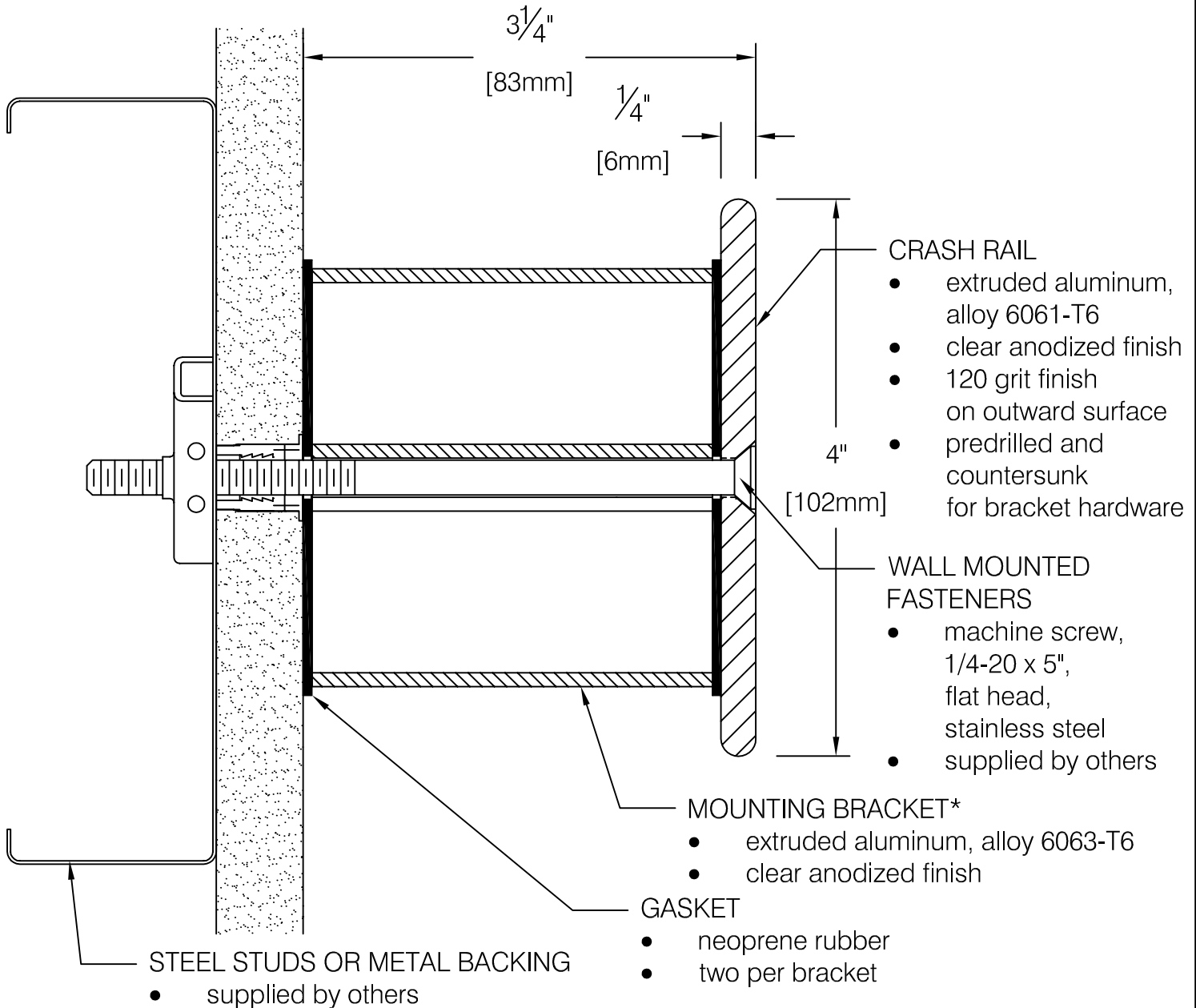


CRASH RAIL CRA-104-TBSH



*Nominal bracket spacing 32" on center.
Actual bracket spacing will vary according to jobsite conditions. Maximum spacing not to exceed 48" [1219mm].

RELATED PARTS NOT SHOWN
FACTORY FORMED 3" RADIUS
WALL RETURNS AND CORNERS

DATE:	CUSTOMER:	PART	QTY
REP:	 <p>www.alpararch.com 612-721-0156 P.O. Box 17207 Minneapolis, MN 55417-0156</p>		
PROJECT:			
JOB #:			
ISSUE DATE: MAY 2012			
REV #:		Alpar Architectural Products, LLC	