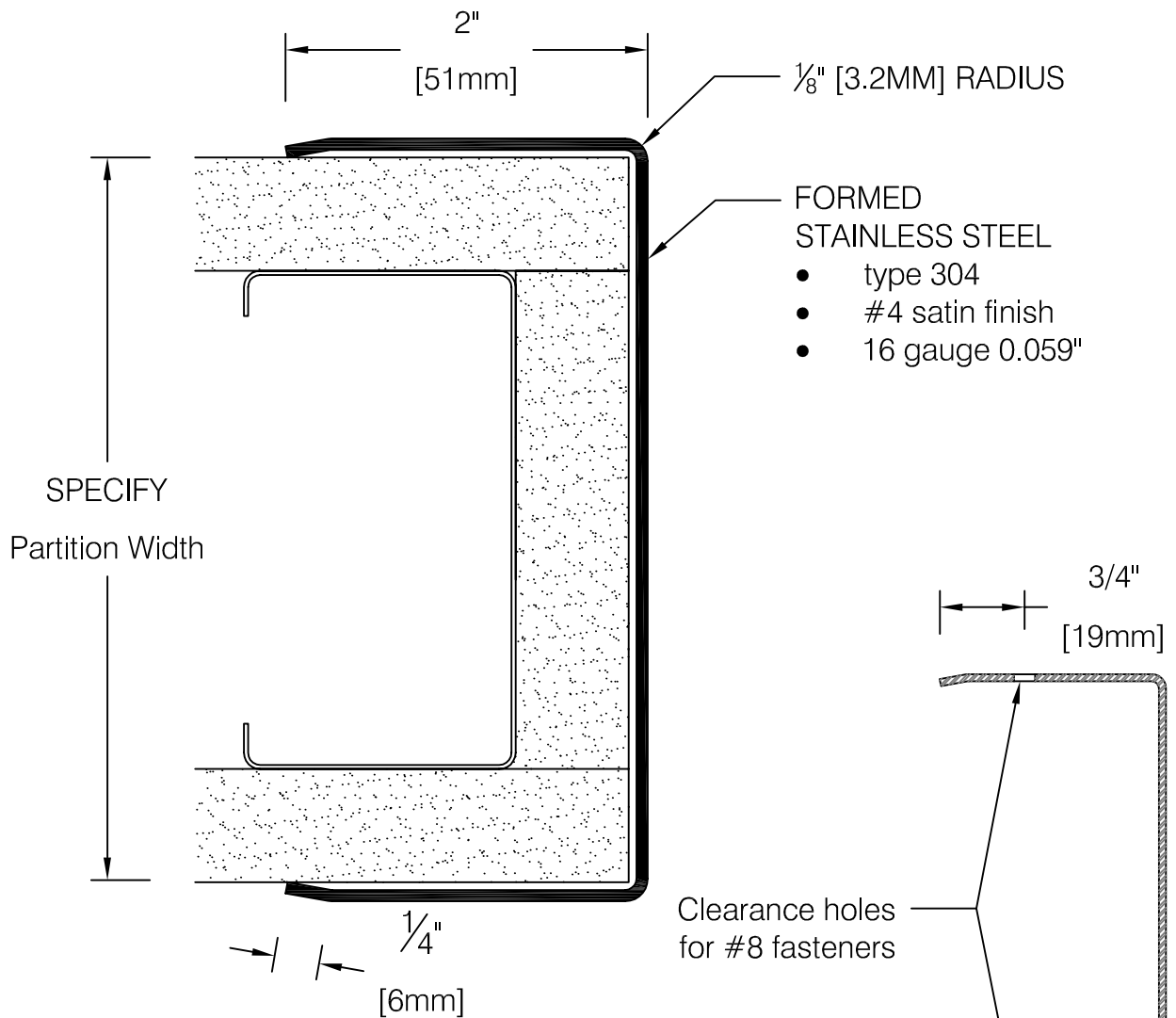


# STAINLESS STEEL ENDWALL GUARD CG-51



## Mounting Options:

- Adhesive:  
ADH-50 adhesive included
- Drilled:  
Clearance holes for #8 fasteners ABSS-113 #8 x 1/2"  
[38mm] oval head sheet metal screw and ABCW-132  
stainless cup washer supplied separately as required

## OPTIONAL DRILLING:

- Standard spacing: 3" from each end  
and spaced evenly not to exceed 36" oc

DATE:	CUSTOMER:	QTY	WING	WALL	HEIGHT
REP:	 <p>www.alpararch.com 612-721-0156 P.O. Box 17207 Minneapolis, MN 55417-0156</p>				
PROJECT:					
JOB #:					
ISSUE DATE: MAY 2012					
REV #:		Alpar Architectural Products, LLC			