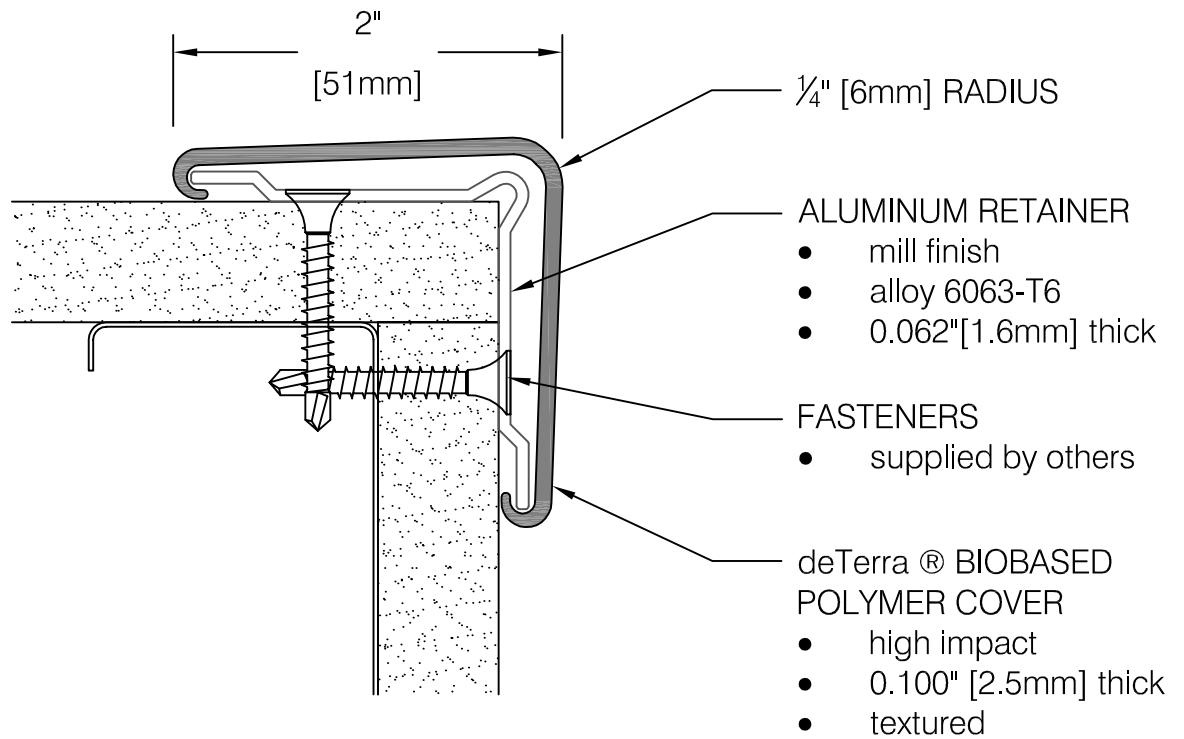


CORNER GUARD CG-20B



RELATED PARTS NOT SHOWN
END CAP

deTerra is a registered trademark of Interfacial Solutions IP, LLC

DATE:	CUSTOMER:	QTY	HEIGHT	COLOR
REP:	 <p>www.alpararch.com 612-721-0156 P.O. Box 17207 Minneapolis, MN 55417-0156</p>			
PROJECT:				
JOB #:				
ISSUE DATE: MAY 2012				
REV #:		Alpar Architectural Products, LLC		