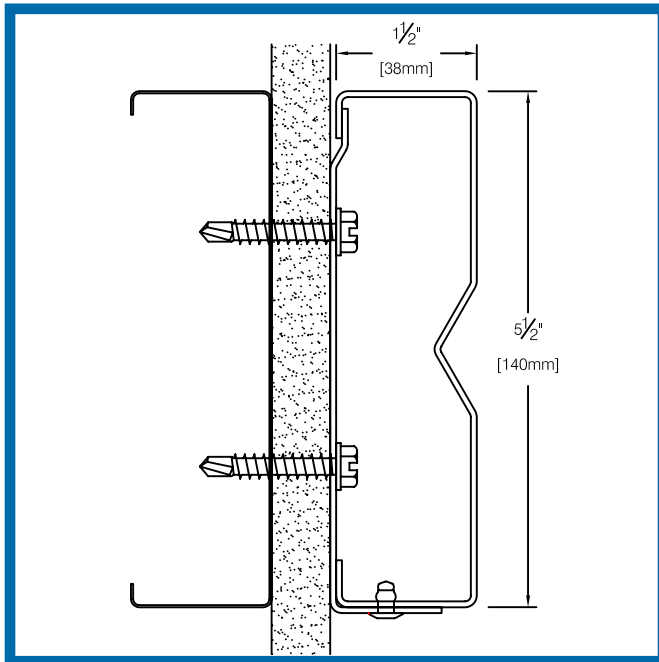




Stainless Steel Crash Rails

Models CRS-200 (shown), CRS-202



Stainless steel crash rail provides maximum impact resistance with a clean, sleek look. Our crash rail is made of 16 gauge, type 304 stainless steel with directional #4 satin finish. Installation is easy – crash rail lengths hang on included mounting brackets which attach with screws to the wall. Rivets lock the rails in place. Factory finished ends provide a finished look. Crash rail is available smooth face or with “V” accent (shown). Our stainless steel contains 59% post-consumer recycled content.

About Alpar Architectural Products

Alpar Architectural Products LLC provides impact protection for walls with the least possible environmental impact. All of our products are FREE from polyvinylchloride (PVC), petroleum and persistent bioaccumulative toxins (PBTs) and are made from recycled and rapidly renewable materials including deTerra® biobased polymer, aluminum and stainless steel.

DeTerra® biobased polymer looks and feels like traditional plastics but is made from more than 90% rapidly renewable materials and are grown and processed into compound in the USA. It is the only wall protection material that is approved by the EPA as biodegradable and that can be composted. It is Class 1/A fire rated and far outperforms PVC, PETG and ABS for flame spread and smoke density when tested to ASTM E84. It also outperforms these materials in many mechanical, chemical and stain resistance tests relevant to wall protection.

Alpar Architectural Products LLC
877-721-0156
612-721-0156
Fax 612-395-9183
info@alpararch.com
www.alpararch.com

© Copyright 2012 Alpar Architectural Products, LLC.
DeTerra is a registered trademark of Interfacial Solutions IP, LLC.