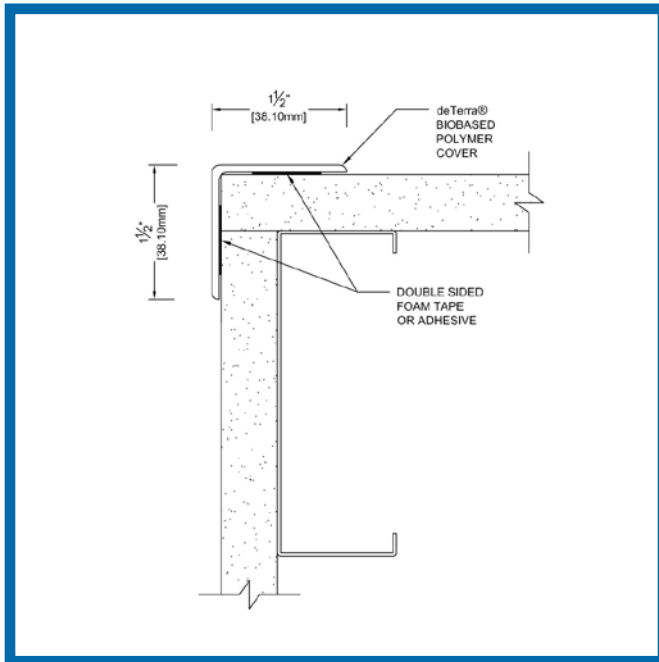




Surface Mount Corner Guards

Models CG-12B, CG-13B and CG-1245B



Surface mount corner guards applied with adhesive or double sided foam tape provide the most economical and flexible corner protection solution for virtually any application. Available in a range of wing sizes and standard 90 and 135 degree angles as well as virtually any custom angle, they provide protection in hard-to-match applications. Specify standard 4'0" (1219mm) or 8'0" (2438mm) or custom height. Also available in endwall applications.

About Alpar Architectural Products

Alpar Architectural Products LLC provides impact protection for walls with the least possible environmental impact. All of our products are FREE from polyvinylchloride (PVC), petroleum and persistent bioaccumulative toxins (PBTs) and are made from recycled and rapidly renewable materials including deTerra® biobased polymer, aluminum and stainless steel.

DeTerra® biobased polymer looks and feels like traditional plastics but is made from more than 90% rapidly renewable materials and are grown and processed into compound in the USA. It is the only wall protection material that is approved by the EPA as biodegradable and that can be composted. It is Class 1/A fire rated and far outperforms PVC, PETG and ABS for flame spread and smoke density when tested to ASTM E84. It also outperforms these materials in many mechanical, chemical and stain resistance tests relevant to wall protection.

Alpar Architectural Products LLC
877-721-0156
612-721-0156
Fax 612-395-9183
info@alpararch.com
www.alpararch.com

© Copyright 2012 Alpar Architectural Products, LLC.
DeTerra is a registered trademark of Interfacial Solutions IP, LLC.