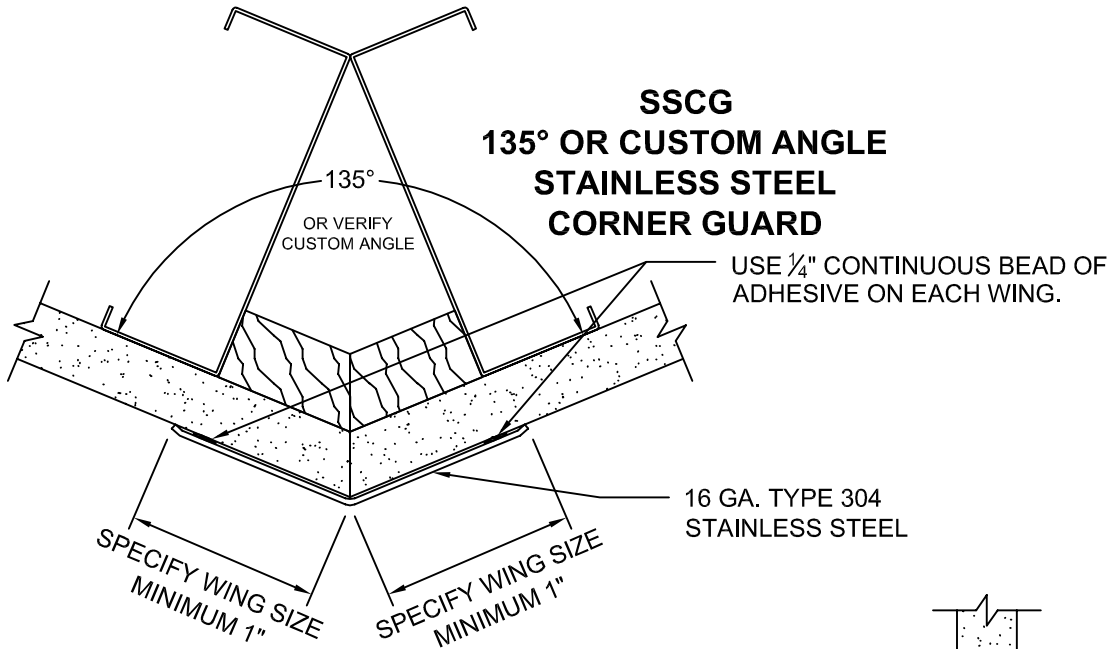
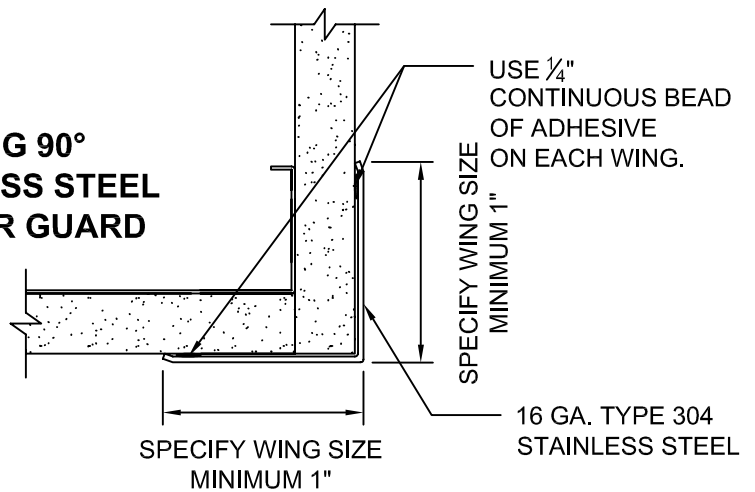


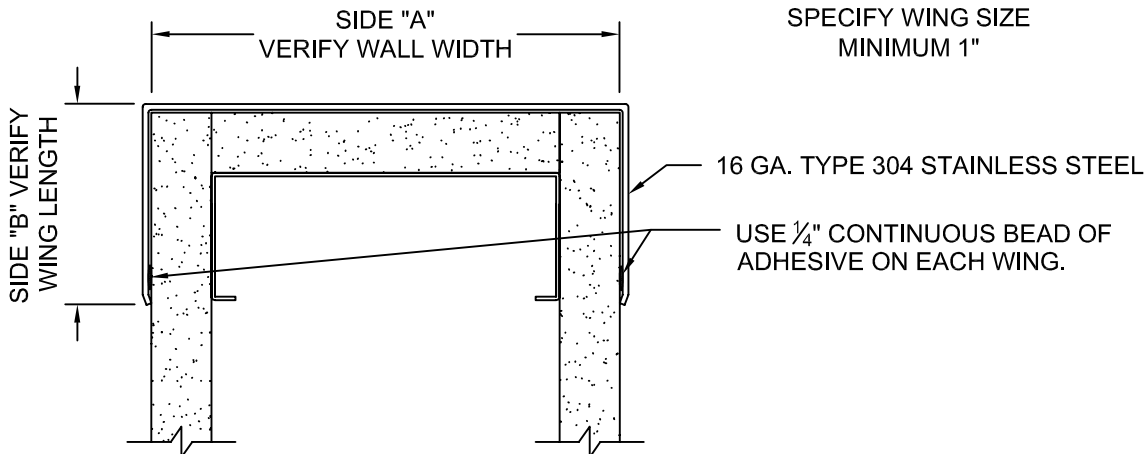
STAINLESS STEEL CORNER GUARDS ADHESIVE MOUNT



SSCG 90° STAINLESS STEEL CORNER GUARD



SSEW STAINLESS STEEL END WALL GUARD



DATE:	CUSTOMER:	QTY	ANGLE	WING	WALL	HEIGHT
REP:	 <p>www.alpararch.com 612-721-0156 P.O. Box 17207 Minneapolis, MN 55417-0156</p>					
PROJECT:						
JOB #:						
ISSUE DATE: MAY 2011						
REV #:		Alpar Architectural Products, LLC				